

MULTI-PURPOSE, 4 CHANNEL 365 Day Advance Single Holiday and Seasonal Scheduling

MODELS WITH & WITHOUT ASTRONOMIC

APPLICATIONS

- HVAC Equipment
- Interior Lighting
- Electric Motors
- Horns, Bells
- Outdoor Lighting and Signs
- Refrigeration defrost control
 - Condensers
 - Heaters

Capable of different schedules each day of the week.

ON and OFF SET POINTS

Total # Per Week	Minimum Setting
99	1 minute

FEATURES

Astronomic (Model DZS 400A only)	1. Adjustable 10° - 60 Northern or Southern latitudes. 2. Each channel can be individually offset ±1-99 minutes from both sunset and sunrise times.
Holidays	1 to 24 individual dates
Seasons	1 to 4 with different daily schedules which can wrap around into the new year
Daylight Saving	Automatic adjustment (can be omitted)
Leap Year	Automatic compensation
Display	LCD
Manual Override	Until the next regularly scheduled ON or OFF. Automatic operation then resumes.
Signal/Pulse Duration	2 different settings per channel - each 1-99 seconds.
Clock Format	AM/PM
Power Outage Backup	Permanent schedule retention for up to 40 years Snap-in lithium battery maintains real time

ORDERING INFORMATION

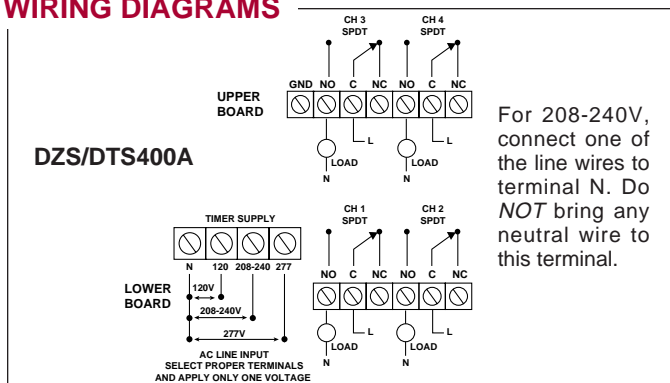
Type	Model	Clock Input - VAC 50/60 Hz	Dry Contacts (unpowered)
Astronomic and Pulse Switching Capability	DZS400A*	120 / (208 - 240) / 277	SPDT
Multi-Purpose with Pulse Switching Capability	DTS400A**	120 / (208 - 240) / 277	SPDT
	DTS400A-24	24	SPDT

* For 12VDC or 24VAC, consult factory.

** For 12VDC, consult factory.

NOTE: For latching contactors, use Model DZM200A.

WIRING DIAGRAMS



DZS400A



Meets California Energy Commission Title 24 requirements.

PERMANENT SCHEDULE RETENTION WITHOUT POWER FOR UP TO 40 YEARS

SPECIFICATIONS

Power Consumption: 6 VA Max.

Contact Ratings:

Type	Voltage	Rating
General Purpose	24-277 VAC, 30 VDC	10A
Tungsten	120 VAC	360 watts
Pilot Duty	120-277 VAC	360 VA
Motor Load	120 VAC	1/4 HP
	208-240 VAC	1/3 HP

Operating Temperature: -40°F to +158°F (-40°C to +70°C)

Enclosure:

See end of controls section for dimensions.

Noryl® indoor/outdoor (NEMA 3R) is standard.

For metal indoor (add suffix Y to catalog #).

Other Mountings:

Metal indoor/outdoor (suffix O) - Model 9000A.

Flush with lock and key (suffix FLG) – Model 9011.

Bracket for panel mounting – consult factory.

SPECIFICATION WRITER'S GUIDE

1. Furnish and install where noted a 4 channel digital time switch.
2. Controller shall program in AM/PM format.
3. Controller shall program in one minute resolution.
4. Display shall be of LCD type.
5. Controller shall be capable of 99 set points; separate scheduling for each day of the week.
6. Controller shall have 365 day holiday capabilities with 24 single dates and 4 seasons of unlimited duration.
7. Different daily schedules shall be programmable within each season.
8. Controller shall have Daylight Saving or Standard time.
9. Controller shall have automatic Leap Year correction.
10. Schedules shall be retained for 40 years without power.
11. Controller shall have 30 day backup for real time using field replaceable 9V lithium battery.
12. Controller shall be capable of manual override ON or OFF to the next scheduled event using 1 button for each channel.
13. Unit shall have NEMA Type 3 indoor/outdoor enclosure as standard.
14. Controller shall be capable of having 2 different pulse durations 1-99 seconds, user settable and assignable to each channel.
15. Controller shall be capable of having astronomic on one (or all) channels with 1-99 minutes, plus or minus offset from Sunrise or Sunset.
16. To order specify TORK Model D __ 400A